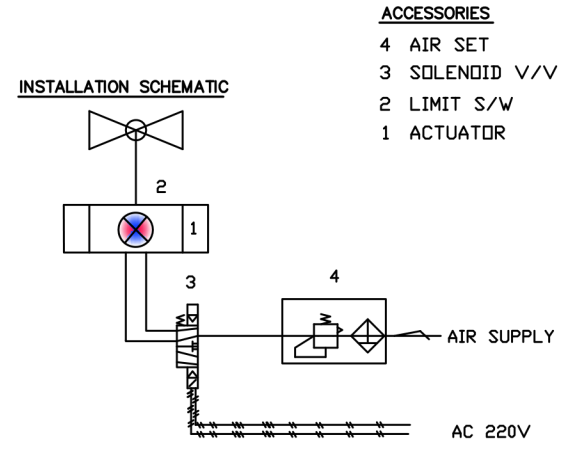
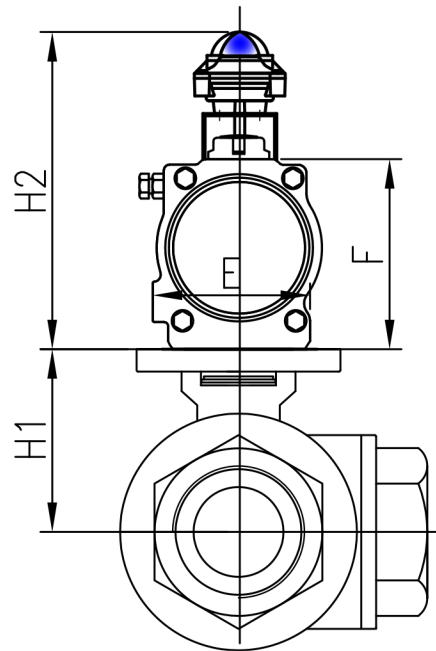
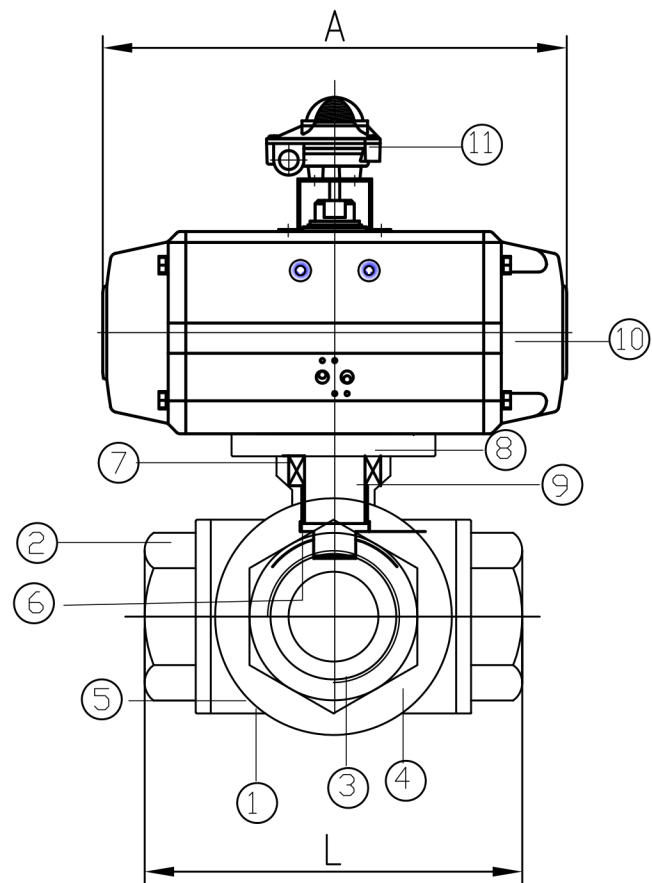


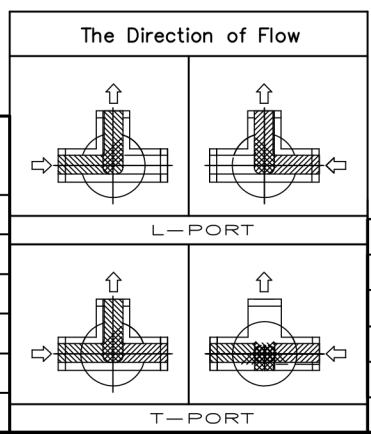
REV. NO	DATE	REVISION RECORD	DRA.	CHK.	APR.
△					
△					



- ACCESSORIES**
- 4 AIR SET
 - 3 SOLENOID V/V
 - 2 LIMIT S/W
 - 1 ACTUATOR

(UNIT : mm)

SIZE	DIMENSION							MODEL
	d	L	H1	H2	A	E	F	
15A	15	72	42	165	118	47	45	AT-032
20A	20	85	49	189	146	70	69	AT-050
25A	25	100	55	189	146	70	69	AT-050
32A	32	113	63	205	163	83	85	AT-063
40A	40	125	74	205	163	83	85	AT-063
50A	50	150	93	222	214	94	102	AT-075



FOR APPROVAL

*** ACTUATOR SPECIFICATION**

OPERATING MEDIUM	COMPRESSED DRY AIR
STANDARD OPERATING PRESSURE	5Kg/CM2
OPERATING PRESSURE RANGE	4 ~ 7 Kg/CM2
OPERATING ANGLE	90° (0° ~ +95°)
OPERATING TIME (CLOSE → OPEN)	MAXIMUM 30 SECOND (SPEED CONTROL)
SERVICE TEMPERATURE	20°C ~ +80°C

NO.	DESCRIPTION	MATERIAL	Q'TY	REMARKS
11	LIMIT S/W	-	1	
10	ACTUATOR	-	1	
9	STEM	STS304	1	
8	GLAND	STS304	1	
7	SPRING	STS304	1	
6	BACK SEAT RING	TEFLON	1	
5	GASKET	TEFLON	-	
4	SEAT	P.T.F.E.	6	
3	BALL	SCS13/14	1	
2	CAP	SCS13/14	3	
1	BODY	SCS13/14	1	

PROJECT NAME

—

MEGATEC

SCALE	PNEUMATIC ON-OFF 3WAY BALL V/V		
N.S.	(JIS 10Kg PT SCR'D/P.T.F.E. SEAT)		
DRAWN BY T.K.KIM	DATE 2017. 02. 16.	DRAWING NO. PN17-0216-01	REV. NO A
APPROVED BY T.K.KIM			