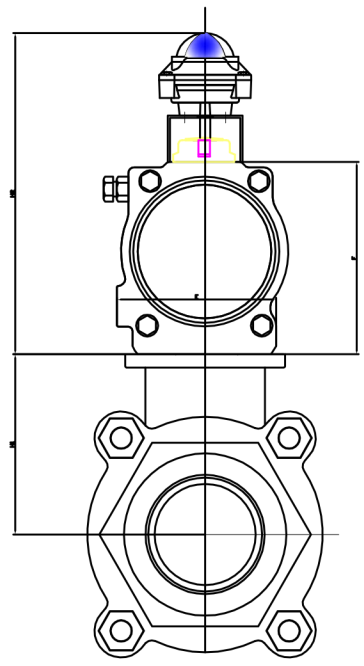
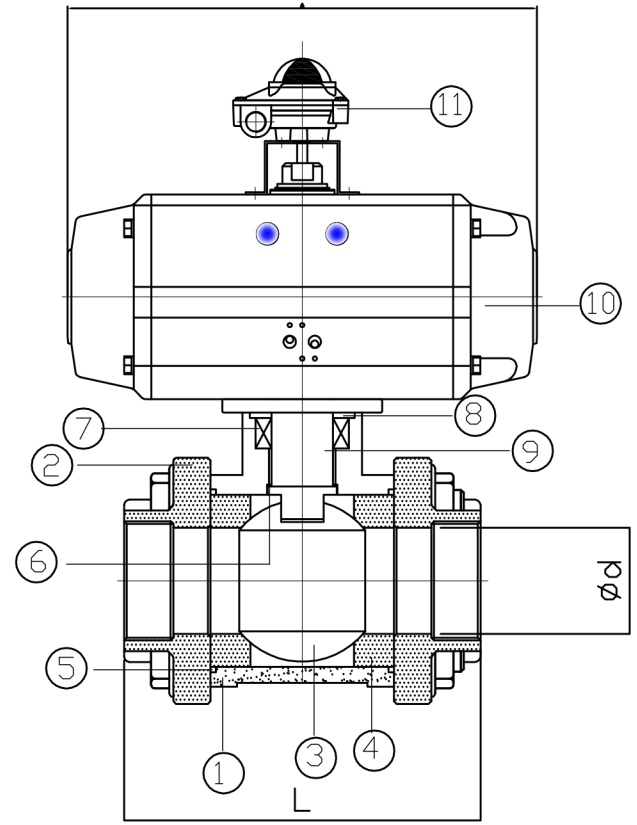
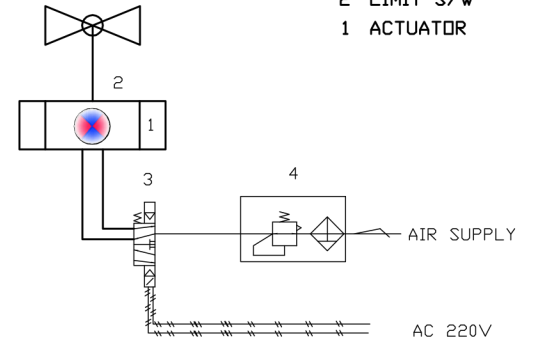


REV. NO	DATE	REVISION RECORD	DRA.	CHK.	APR.
△					
△					



- ACCESSORIES**
- 4 AIR SET
  - 3 SOLENOID V/V
  - 2 LIMIT S/W
  - 1 ACTUATOR

INSTALLATION SCHEMATIC



NO.	DESCRIPTION	MATERIAL	Q'TY	REMARKS
11	LIMIT S/W	-	1	
10	ACTUATOR	-	1	
9	STEM	STS304	1	
8	GLAND	STS304	1	
7	SPRING	STS304	1	
6	BACK SEAT RING	TEFLON	1	
5	GASKET	TEFLON	-	
4	SEAT	P.T.F.E.	2	
3	BALL	SCS13/14	1	
2	CAP	SCS13/14	1	
1	BODY	SCS13/14	1	

(UNIT : mm)

SIZE	DIMENSION							MODEL
	d	L	H1	H2	A	E	F	
15A	15	75	42	194	146	47	45	AT-050
20A	20	81	48	200	146	70	69	AT-050
25A	25	90	58	202	146	70	69	AT-050
32A	32	112	63	214	163	83	85	AT-063
40A	40	120	71	217	163	83	85	AT-063
50A	50	140	78	225	214	94	102	AT-075
65A	65	176	100	251	252	105	115	AT-088

**FOR APPROVAL**

\* ACTUATOR SPECIFICATION

OPERATING MEDIUM	COMPRESSED DRY AIR
STANDARD OPERATING PRESSURE	5Kg/CM2
OPERATING PRESSURE RANGE	4 ~ 7 Kg/CM2
OPERATING ANGLE	90° (0° ~ +95°)
OPERATING TIME (CLOSE → OPEN)	MAXIMUM 30 SECOND (SPEED CONTROL)
SERVICE TEMPERATURE	20°C ~ +80°C

PROJECT NAME  
-

**MEGATEC**

SCALE	N. S.	PNEUMATIC ON-OFF BALL V/V (JIS 10Kg PT SCR'D/P.T.F.E. SEAT)		
DRAWN BY	T.K.KIM	DATE	DRAWING NO.	REV. NO
APPROVED BY	T.K.KIM	2017. 02. 16.	PN17-0216-01	1 A