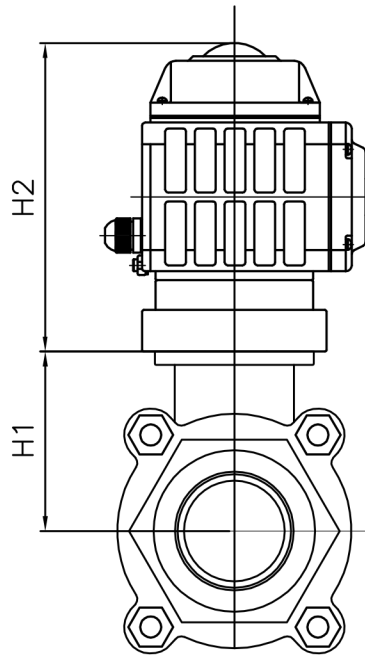
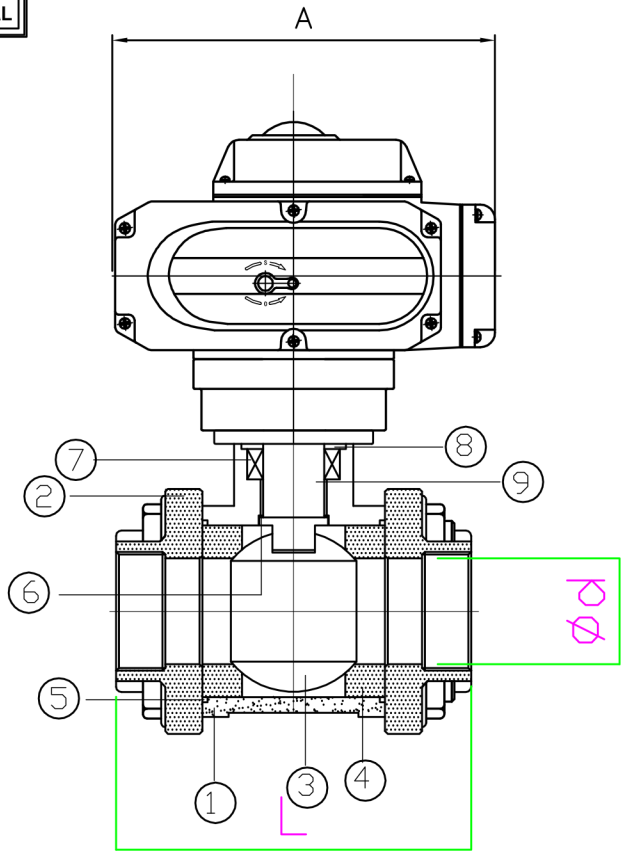
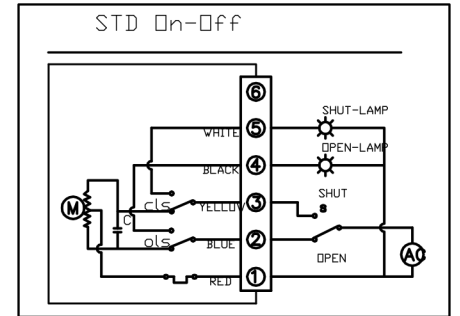


FOR APPROVAL



REV. NO.	DATE	REVISION RECORD	DRA.	CHK.	APR.
△					
△					



NO.	DESCRIPTION	MATERIAL	Q'TY	REMARKS
10	ACTUATOR	-	1	
9	STEM	STS304	1	
8	GLAND	STS304	1	
7	SPRING	STS304	1	
6	BACK SEAT RING	TEFLON	1	
5	GASKET	TEFLON	-	
4	SEAT	P.T.F.E.	2	
3	BALL	SCS13/14	1	
2	CAP	SCS13/14	1	
1	BODY	SCS13/14	1	

PROJECT NAME
-

MEGATEC

SCALE	N.S.	ELECTRIC ON-OFF BALL V/V (JIS 10Kg PT SCR'D/P.T.F.E. SEAT)		
DRAWN BY	T.K.KIM	DATE	DRAWING NO.	REV. NO.
APPROVED BY	T.K.KIM	2017. 02. 16.	M017-0216-01	1 A

* ACTUATOR SPECIFICATION	
ELECTRICAL	AC 110V,220V,380,DC24V
ROTATING ANGLE	90° (-3° ~ +95°)
OPERATING TYPE	ON/OFF,MODULATING
SERVICE TEMPERATURE	-20°C ~ +80°C
OPERATING TIME (CLOSE → OPEN)	15~30SEC
MANUAL OVERRIDE	YES

(UNIT : mm)

SIZE	DIMENSION					MODEL
	d	L	H1	H2	A	
15A	15	75	42	151	160	KT-05
20A	20	81	48	151	160	KT-05
25A	25	90	58	151	160	KT-05
32A	32	112	63	151	160	KT-05
40A	40	120	71	151	160	KT-05
50A	50	140	78	170	196	KT-10
65A	65	176	100	170	196	KT-10