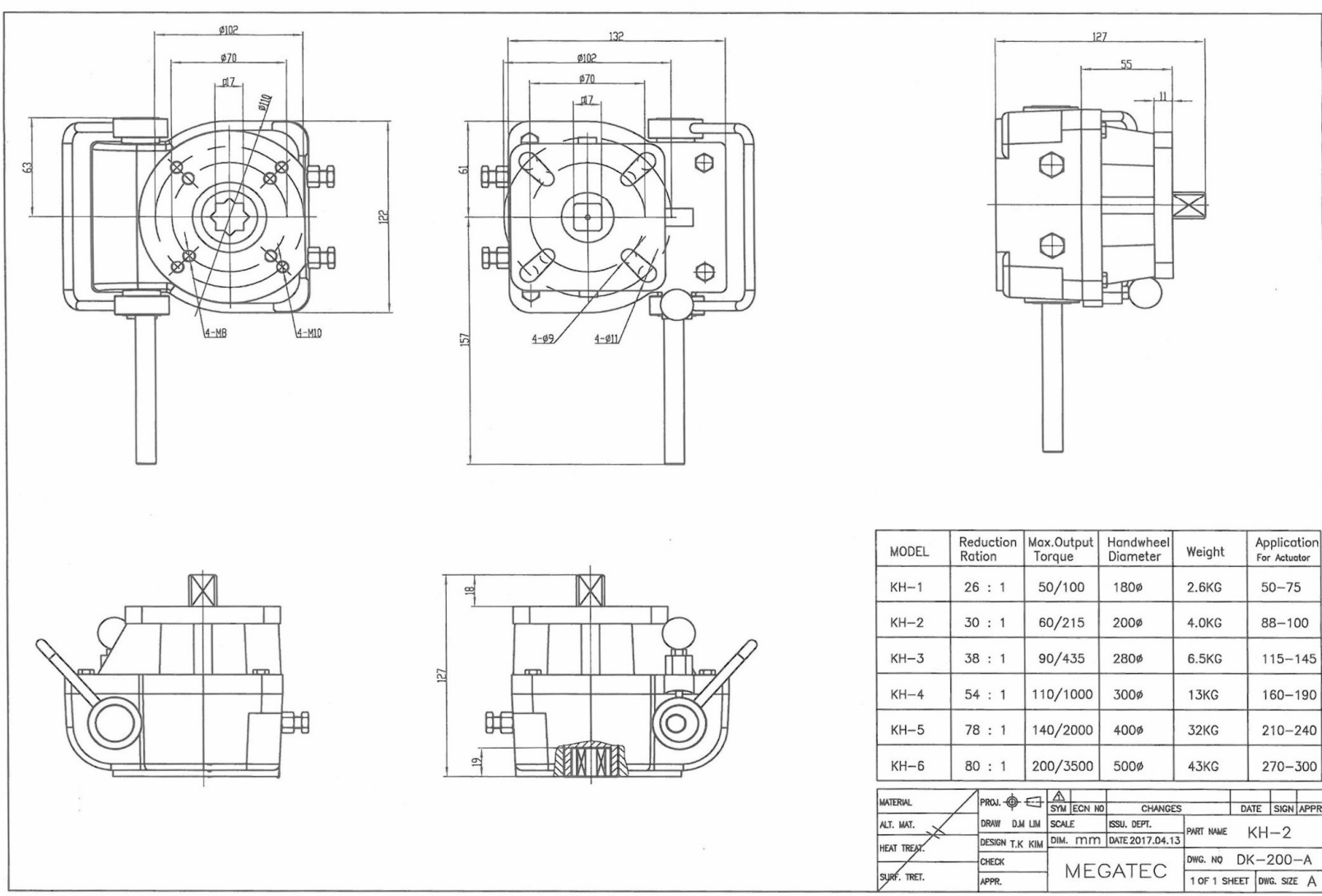


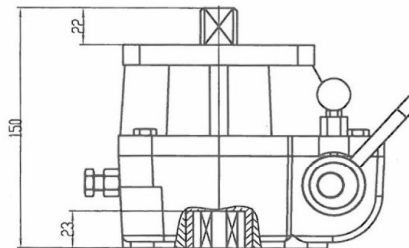
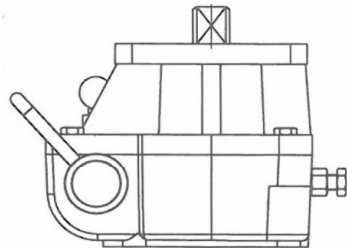
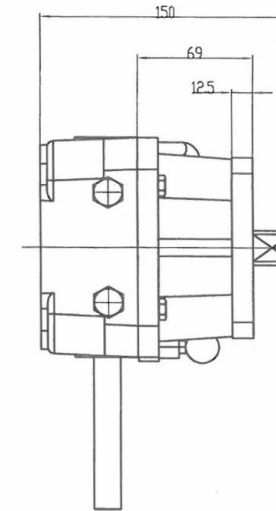
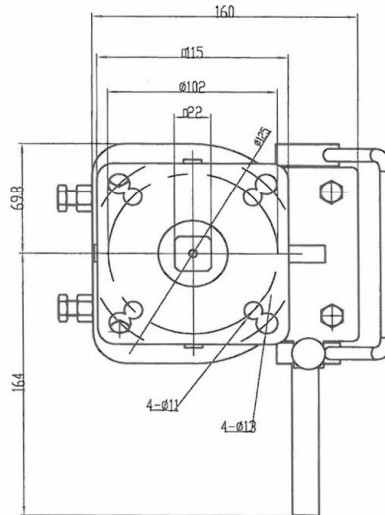
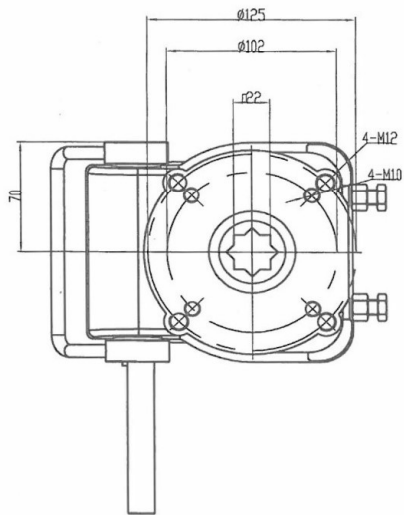
MODEL	Reduction Ration	Max.Output Torque	Handwheel Diameter	Weight	Application For Actuator
KH-1	26 : 1	50/100	180ø	2.6KG	50-75
KH-2	30 : 1	60/215	200ø	4.0KG	88-100
KH-3	38 : 1	90/435	280ø	6.5KG	115-145
KH-4	54 : 1	110/1000	300ø	13KG	160-190
KH-5	78 : 1	140/2000	400ø	32KG	210-240
KH-6	80 : 1	200/3500	500ø	43KG	270-300

MATERIAL	PROJ.		SYM	ECN NO	CHANGES	DATE	SIGN	APPR.
ALT. MAT.	DRAW. D.M LIM	SCALE	ISSU. DEPT.	PART NAME KH-1				
HEAT TREAT.	DESIGN T.K KIM	DIM. mm	DATE 2017.04.13	DWG. NO DK-100-A				
SURF. TRET.	CHECK	MEGATEC		1 OF 1 SHEET		DWG. SIZE A		
	APPR.							



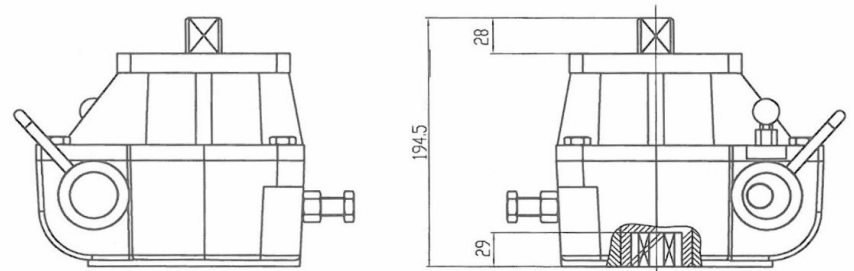
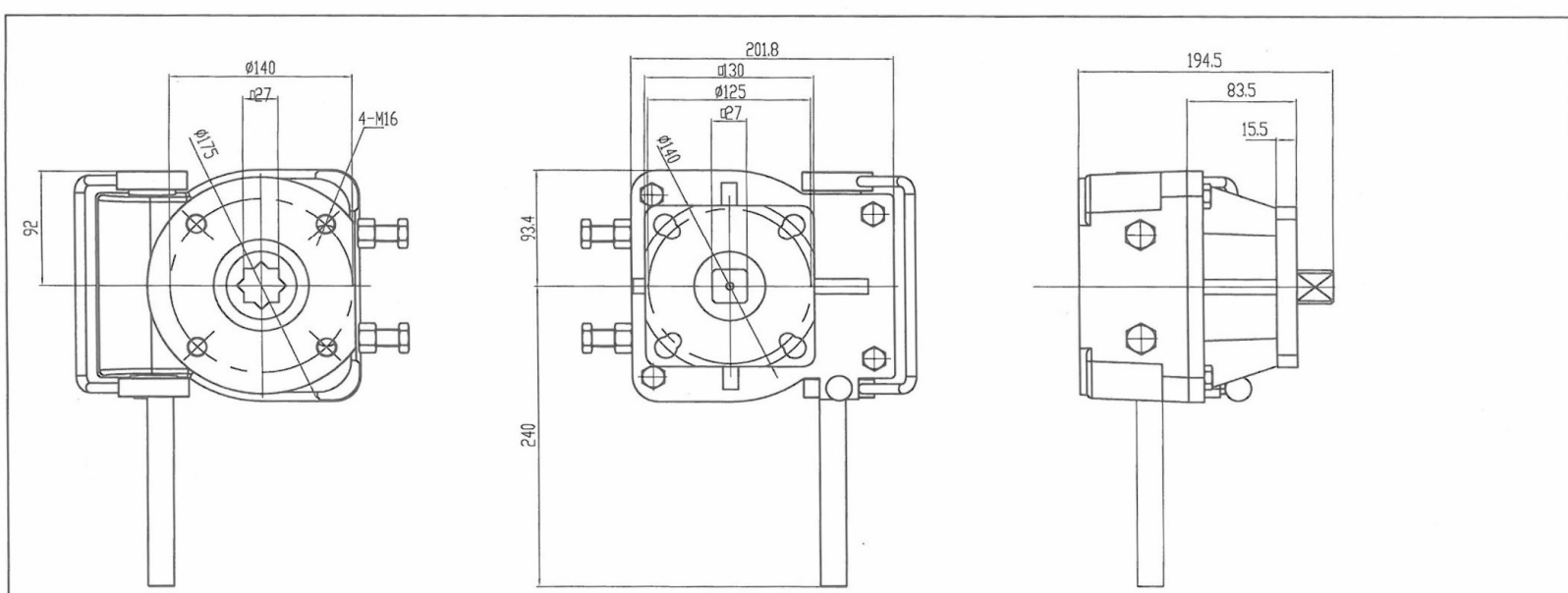
MODEL	Reduction Ratio	Max. Output Torque	Handwheel Diameter	Weight	Application For Actuator
KH-1	26 : 1	50/100	180 ϕ	2.6KG	50-75
KH-2	30 : 1	60/215	200 ϕ	4.0KG	88-100
KH-3	38 : 1	90/435	280 ϕ	6.5KG	115-145
KH-4	54 : 1	110/1000	300 ϕ	13KG	160-190
KH-5	78 : 1	140/2000	400 ϕ	32KG	210-240
KH-6	80 : 1	200/3500	500 ϕ	43KG	270-300

MATERIAL	PROJ.			SYM. EGN. NO.	CHANGES	DATE	SIGN	APPR.
ALT. MAT.	DRAW. D.J.M. LIM.	SCALE	ISSU. DEPT.	PART NAME KH-2				
HEAT TREAT.	DESIGN T.K. KIM	DIM. (mm)	DATE 2017.04.13	DWG. NO DK-200-A				
SURF. TRET.	CHECK	MEGATEC				1 OF 1 SHEET DWG. SIZE A		
	APPR.							



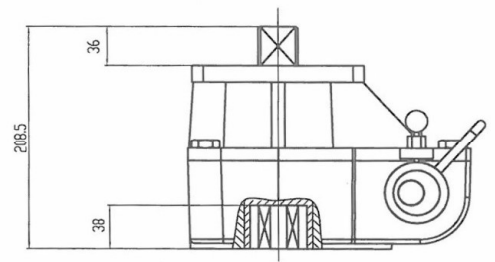
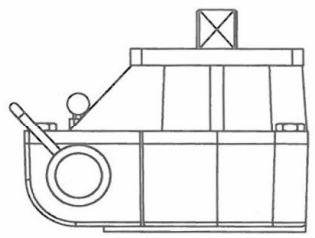
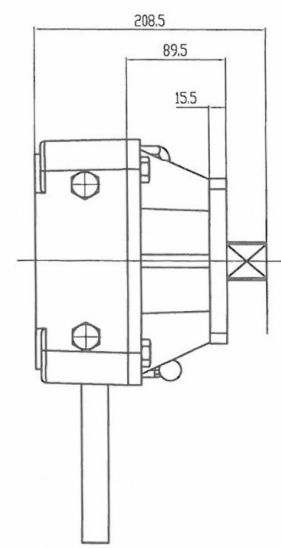
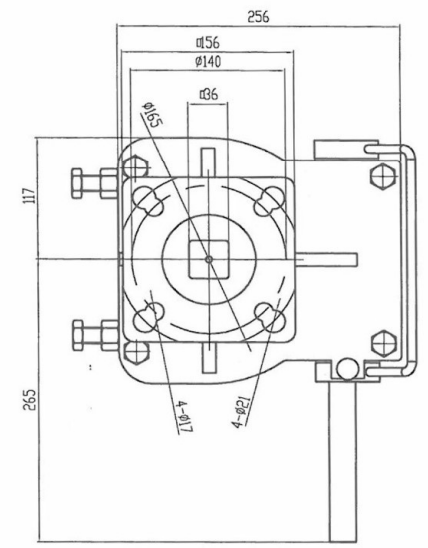
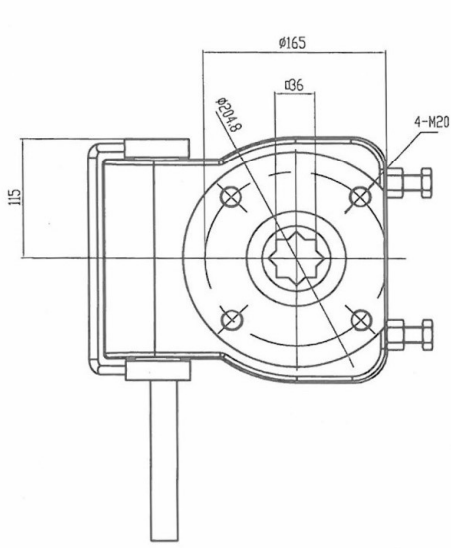
MODEL	Reduction Ratio	Max.Output Torque	Handwheel Diameter	Weight	Application For Actuator
KH-1	26 : 1	50/100	180 ϕ	2.6KG	50-75
KH-2	30 : 1	60/215	200 ϕ	4.0KG	88-100
KH-3	38 : 1	90/435	280 ϕ	6.5KG	115-145
KH-4	54 : 1	110/1000	300 ϕ	13KG	160-190
KH-5	78 : 1	140/2000	400 ϕ	32KG	210-240
KH-6	80 : 1	200/3500	500 ϕ	43KG	270-300

MATERIAL	PROJ.			SYM. ECN NO.	CHANGES	DATE	SIGN	APPR.
ALT. MAT.	DRAW. D.M. LIM.	SCALE	ISSU. DEPT.	PART NAME KH-3				
HEAT TREAT.	DESIGN T.K. KIM	DIM. (mm)	DATE 2017.04.13	DWG. NO DK-300-A				
SURF. TRET.	CHECK	APPR.	MEGATEC		1 OF 1 SHEET		DWG. SIZE A	



MODEL	Reduction Ratio	Max.Output Torque	Handwheel Diameter	Weight	Application For Actuator
KH-1	26 : 1	50/100	180 ϕ	2.6KG	50-75
KH-2	30 : 1	60/215	200 ϕ	4.0KG	88-100
KH-3	38 : 1	90/435	280 ϕ	6.5KG	115-145
KH-4	54 : 1	110/1000	300 ϕ	13KG	160-190
KH-5	78 : 1	140/2000	400 ϕ	32KG	210-240
KH-6	80 : 1	200/3500	500 ϕ	43KG	270-300

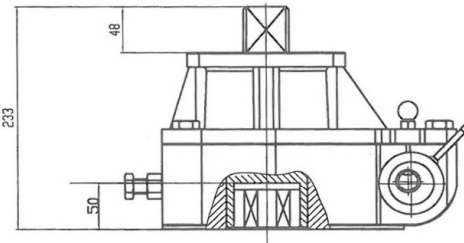
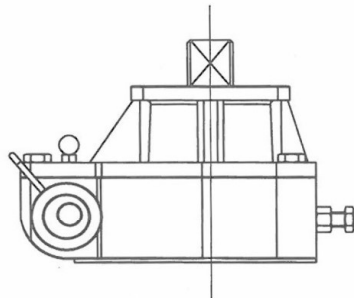
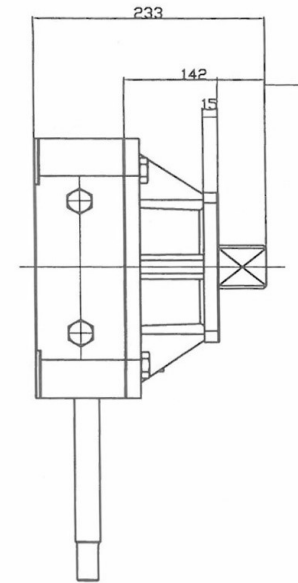
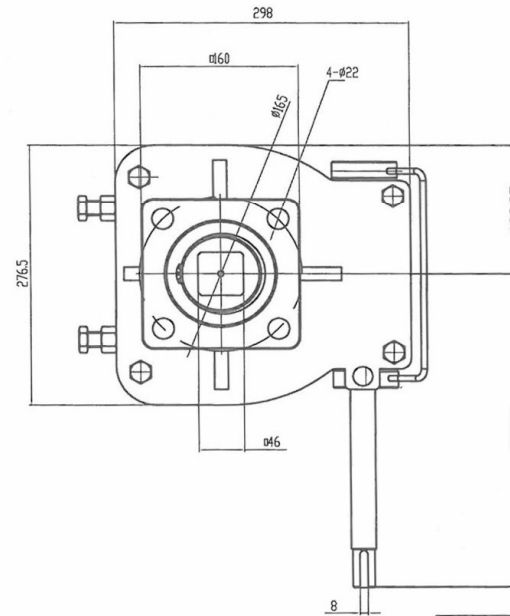
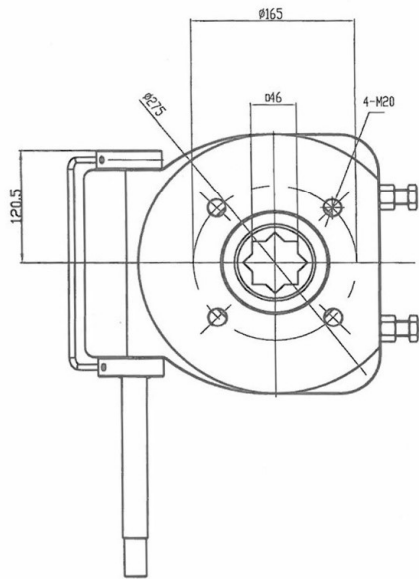
MATERIAL	PROJ.	SYN. ECN NO.	CHANGES	DATE	SIGN	APPR.
ALT. MAT.	DRAW. D.M. LIM.	SCALE	ISSU. DEPT.	PART NAME KH-4		
HEAT TREAT.	DESIGN T.K. KIM	DIM. 11111	DATE 2017.04.13	DWG. NO DK-400-A		
SURF. TRET.	CHECK	APPR.	MEGATEC		1 OF 1 SHEET DWG. SIZE A	



MODEL	Reduction Ratio	Max. Output Torque	Handwheel Diameter	Weight	Application For Actuator
KH-1	26 : 1	50/100	180φ	2.6KG	50-75
KH-2	30 : 1	60/215	200φ	4.0KG	88-100
KH-3	38 : 1	90/435	280φ	6.5KG	115-145
KH-4	54 : 1	110/1000	300φ	13KG	160-190
KH-5	78 : 1	140/2000	400φ	32KG	210-240
KH-6	80 : 1	200/3500	500φ	43KG	270-300

MATERIAL	PROJ.	SYM. ECN NO.	CHANGES	DATE	SIGN	APPR.
ALT. MAT.	DRAW. D.M. LIM.	SCALE	ISSU. DEPT.	PART NAME KH-5		
HEAT TREAT.	DESIGN T.K. KIM	DATE 2017.04.13	DWG. NO DK-500-A			
SURF. TRET.	CHECK	APPR.	1 OF 1 SHEET DWG. SIZE A			

MEGATEC



MODEL	Reduction Ratio	Max. Output Torque	Handwheel Diameter	Weight	Application For Actuator
KH-1	26 : 1	50/100	180Ø	2.6KG	50-75
KH-2	30 : 1	60/215	200Ø	4.0KG	88-100
KH-3	38 : 1	90/435	280Ø	6.5KG	115-145
KH-4	54 : 1	110/1000	300Ø	13KG	160-190
KH-5	78 : 1	140/2000	400Ø	32KG	210-240
KH-6	80 : 1	200/3500	500Ø	43KG	270-300

MATERIAL	PROJ.		SYM	ECH	NO	CHANGES	DATE
ALT. MAT.	DRAW	D.M	LIM	SCALE	ISSU.	DEPT.	SIGN
HEAT TREAT.	DESIGN	T.K	KIM	DIM.	mm	DATE	2017.04.13
SURF. TRET.	CHECK	MEGATEC		DWG. NO	DK-600-A		1 OF 1 SHEET
	APPR.			DWG. SIZE	A		